

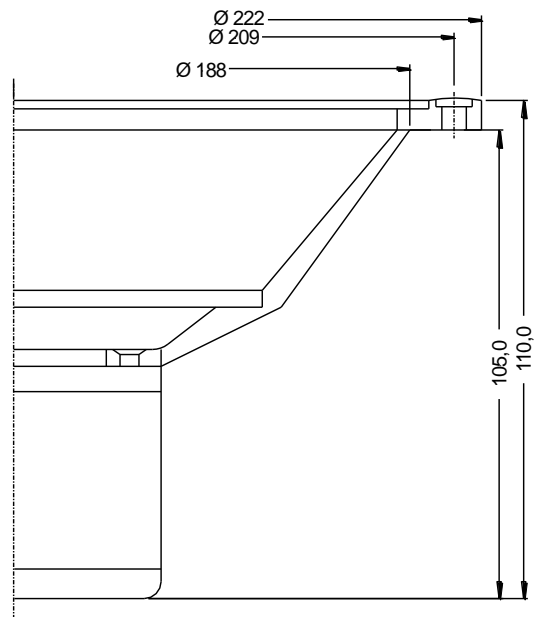
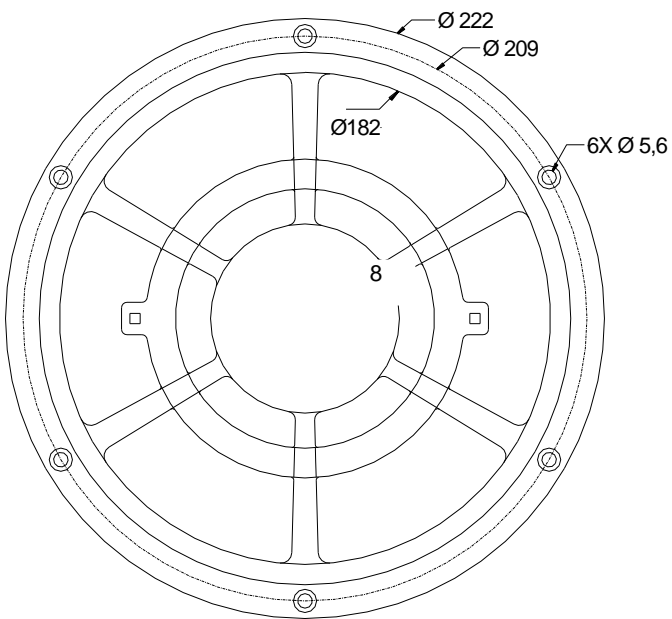
Data sheet – enviee with tweeter cone

Site 1: Mechanical Measurements

Version: 01.04.2011

Specification: 210A25 6925

enviee



Data sheet – enviee with tweeter cone

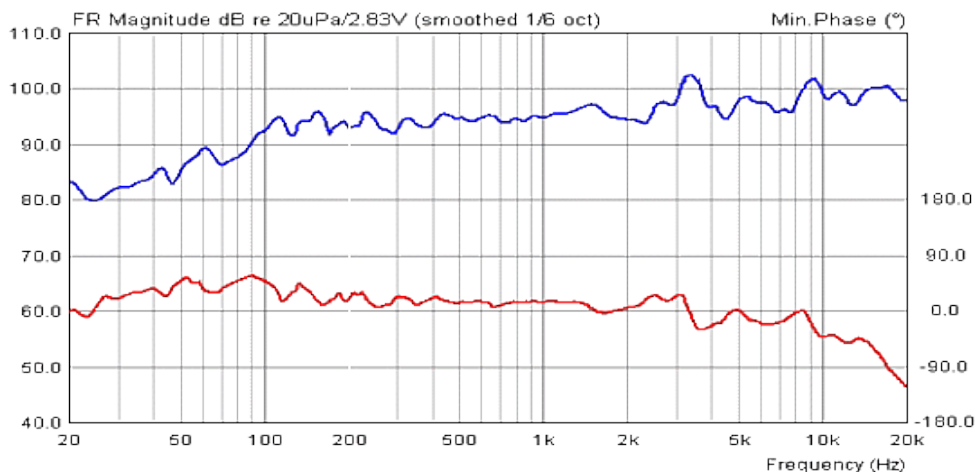
Site 2: Electroacustical Measurement

Version: 01.04.2011

Specification: 210A25 6925

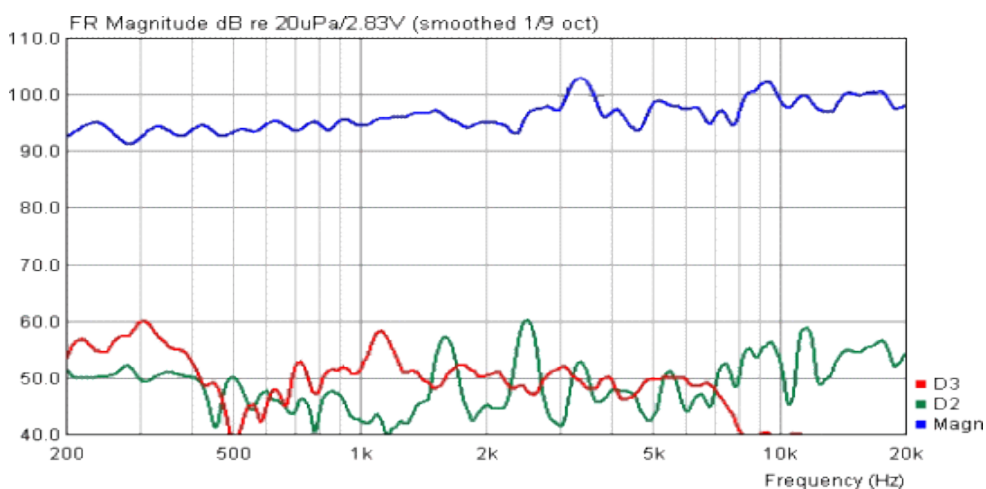


Impedance	Z	8	Ohm	Piston Area	SD	233	cm ²
Impedance 10 KHz	Z	9	Ohm	Mechanical Resistance	Rms	0.39	Kg/s
DC resistance	RDC	6,4	Ohm	Voice Coil Diameter	d	25	mm
Voice Coil Inductance	LVC	0.3	mH	Voice Coil Height	H	11	mm
Resonance Frequency	fs	51.2	Hz	Air Gap Height	HE	8	mm
Moving Mass	MMD	10.8	g	Flux Density	B	1.2	T
Suspension Compliance	CMS	0,92	mm/N	Force Factor	BL	7.8	mT
VAS	VAS	70.2	L	Efficiency	So	2.58	%
QMS	QMS	7.2		Sensitivity	SPL	95.2	dB
QES	QES	0.36		Power Handling	P	50	W
QTS	QTS	0,34		Weight	m	1.7	Kg



Pegel / Phase

Microphone Distance 0.3 m
IEC - baffle



Distortion, D2, D3

Microphone Distance 0.3 m
IEC - baffle